



Tempering Hole Guidelines*

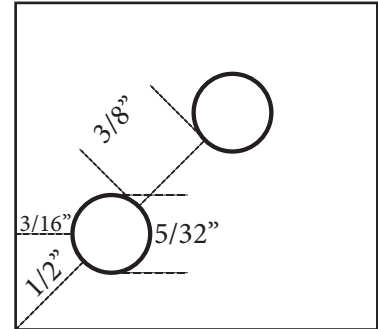
1/8" Glass

5/32" Hole Minimum

3/16" from edge of glass TO edge of hole

1/2" from corner of glass TO edge of hole

Multiple holes must be 3/8" apart (Rim to Rim)



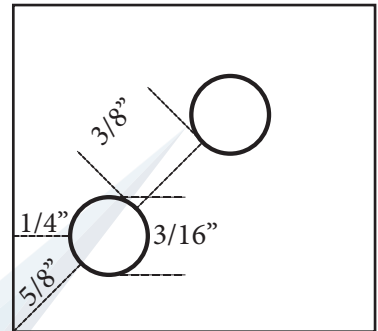
5/32" Glass

3/16" Hole Minimum

1/4" from edge of glass TO edge of hole

5/8" from corner of glass TO edge of hole

Multiple holes must be 3/8" apart (Rim to Rim)



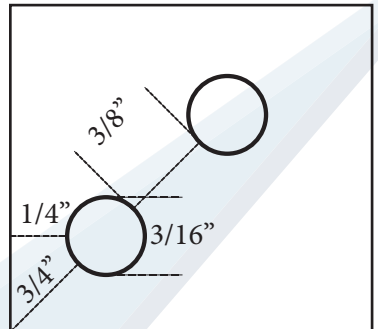
3/16" Glass

3/16" Hole Minimum

1/4" from edge of glass TO edge of hole

3/4" from corner of glass TO edge of hole

Multiple holes must be 3/8" apart (Rim to Rim)



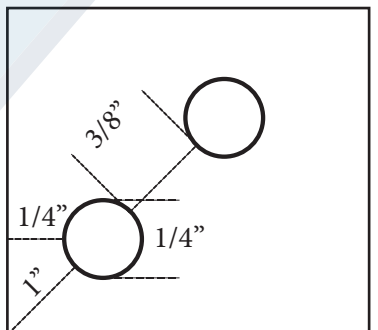
1/4" Glass

1/4" Hole Minimum

1/4" from edge of glass TO edge of hole

1" from corner of glass TO edge of hole

Multiple holes must be 3/8" apart (Rim to Rim)



*Additional modifications to these guidelines may be required due to factors such as glass size, thickness, and other required fabrication.



Tempering Hole Guidelines*

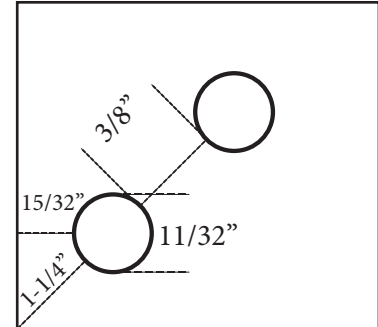
5/16" Glass

11/32" Hole Minimum

15/32" from edge of glass TO edge of hole

1-1/4" from corner of glass TO edge of hole

Multiple holes must be 3/8" apart (Rim to Rim)



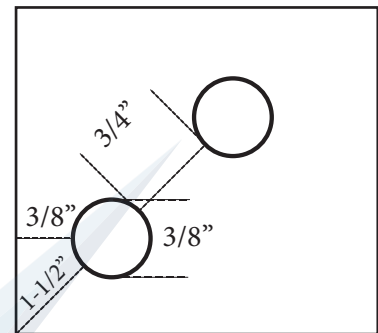
3/8" Glass

3/8" Hole Minimum

3/8" from edge of glass TO edge of hole

1-1/2" from corner of glass TO edge of hole

Multiple holes must be 3/4" apart (Rim to Rim)



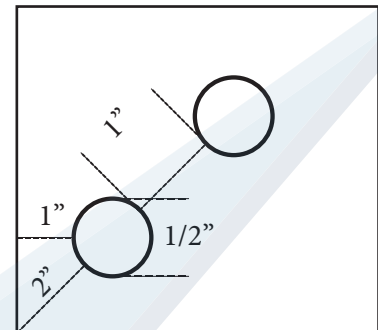
1/2" Glass

1/2" Hole Minimum

1" from edge of glass TO edge of hole

2" from corner of glass TO edge of hole

Multiple holes must be 1" apart (Rim to Rim)



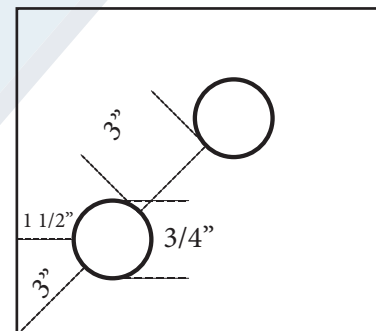
3/4" Glass

3/4" Hole Minimum

1 1/2" from edge of glass TO edge of hole

3" from corner of glass TO edge of hole

Multiple holes must be 3" apart (Rim to Rim)



*Additional modifications to these guidelines may be required due to factors such as glass size, thickness, and other required fabrication.